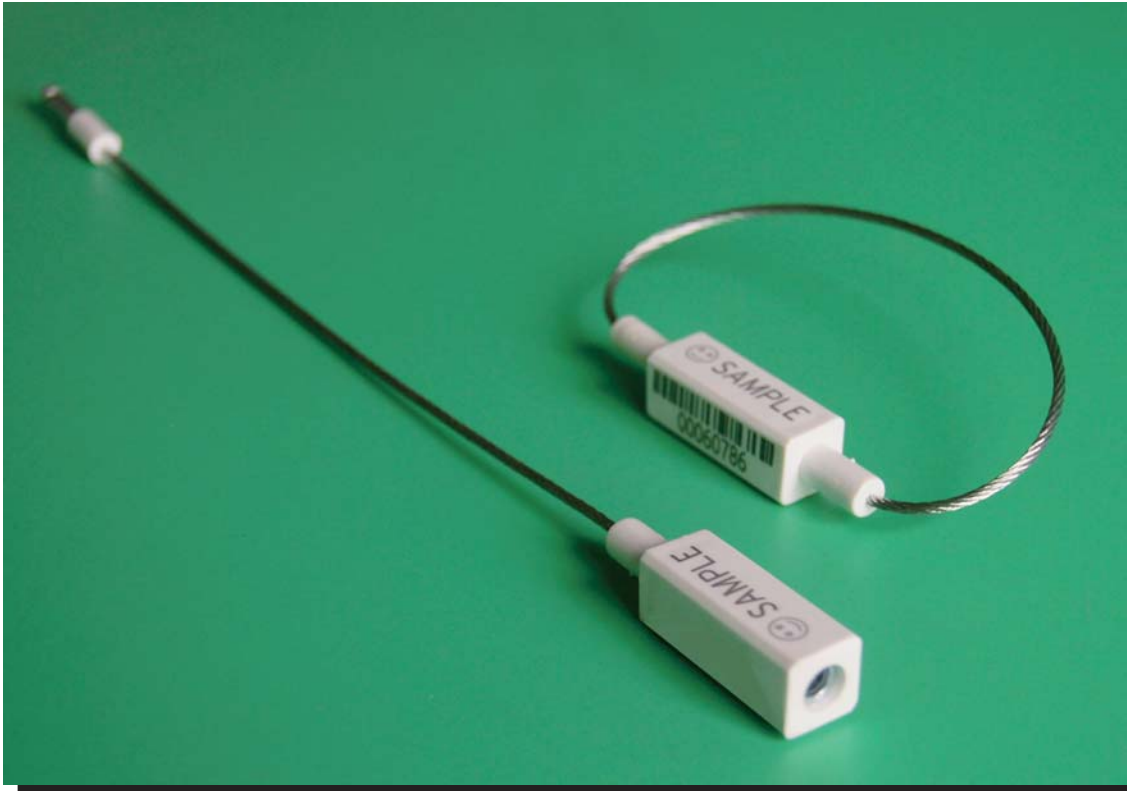


Ring Bar code cable seals

MODEL NUMBER: 6607



Seal Classification

- Security Seal
- Load to Failure :>220kgs

Material

- steel A3.
- Plastic ABS
- galvanized NPC wire

Wire

- Galvanized NPC wire 1.8mm diameter

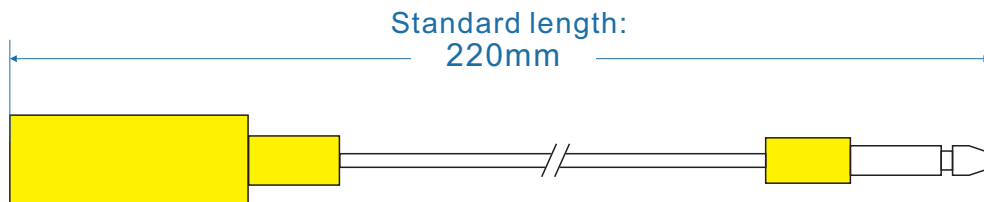
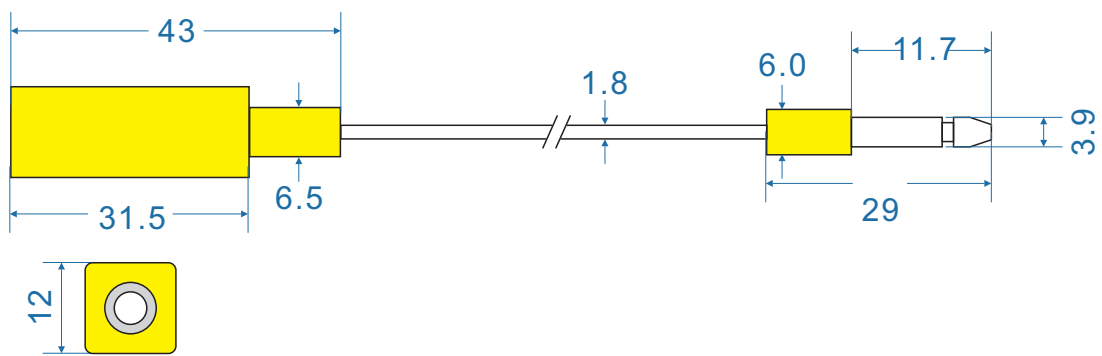
Working Temperature

- 80°C to 150°C



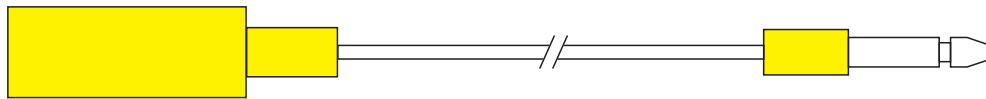
Ring Bar code cable seals

MODEL NUMBER: 6607



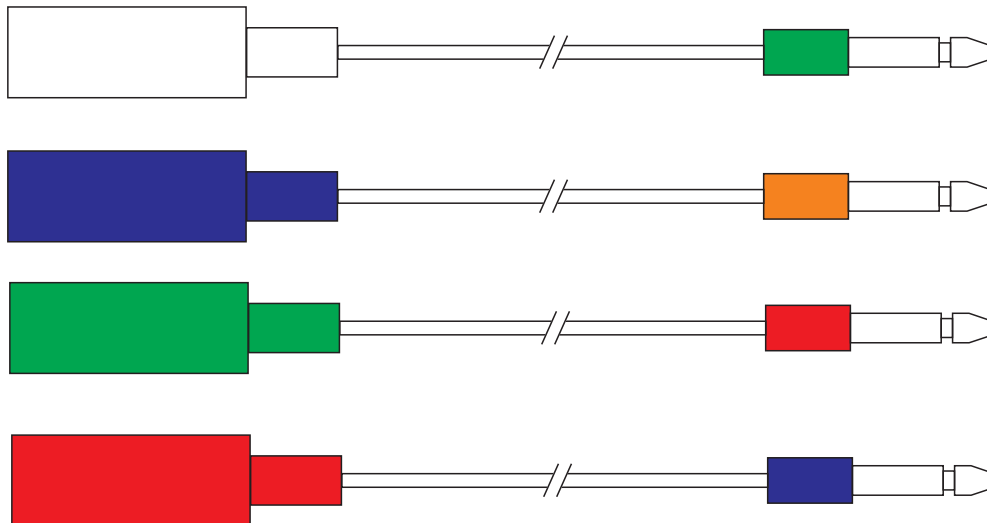
Ring Bar code cable seals

MODEL NUMBER: 6607



Generally we produce the lock house and pin in the same color. ▲

We also can produce the lock house and pin in the Different colors. ▼



Ring Bar code cable seals

MODEL NUMBER: 6607



Printing

- [] Four sides to print.
- [] Laser engraving
- [] Company Logo/Name; Sequential number
- [] The last three digitals are printed on the rotor
- [] Bar code is good readable



Ring Bar code cable seals

MODEL NUMBER: 6607



Ring Bar code cable seals

MODEL NUMBER: 6607

Package

- [] 1000pcs per outer carton
- [] Net weight: 17kgs
- [] Gross weight: 18kgs
- [] Measure : 350*260*170mm

